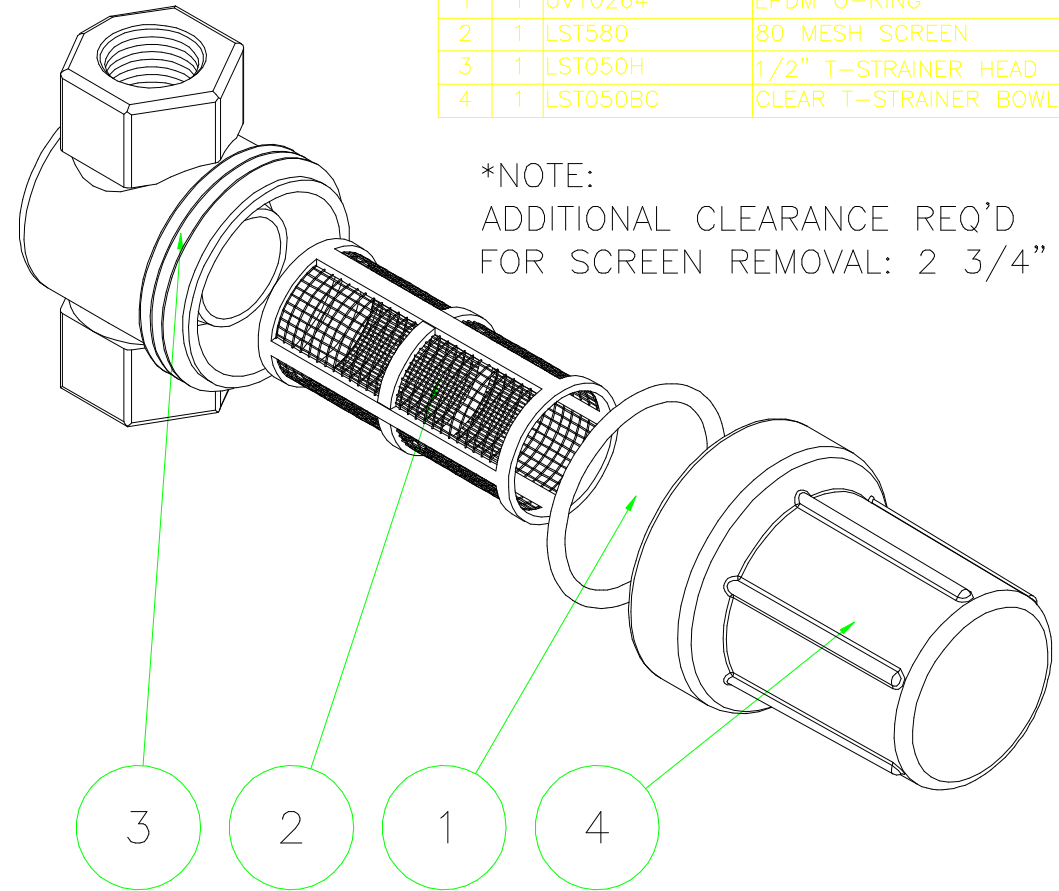


Parts List			
ITEM	QTY.	PART NO.	DESCRIPTION
1	1	UV10264	EPDM O-RING
2	1	LST580	80 MESH SCREEN
3	1	LST050H	1/2" T-STRAINER HEAD
4	1	LST050BC	CLEAR T-STRAINER BOWL

*NOTE:
ADDITIONAL CLEARANCE REQ'D
FOR SCREEN REMOVAL: 2 3/4"



BANJO CORPORATION
150 BANJO DR. • CRAWFORDSVILLE, IN 47933

PART NO.
LSTM050-80C

TITLE
1/2" T-STRAINER W/ CLEAR BOWL

THIS DRAWING AND ALL INFORMATION
CONTAINED THEREON ARE THE EXCLUSIVE
PROPERTY OF BANJO CORPORATION.
UNLESS SPECIFICALLY NOTED, THIS
DRAWING AND ITEMS SHOWN ON THIS
DRAWING ARE SUBJECT TO CHANGE
AT ANY TIME.